

EDGEGLIDE

EXPAND
YOUR
HORIZONS



Glass & Glazing Federation Member

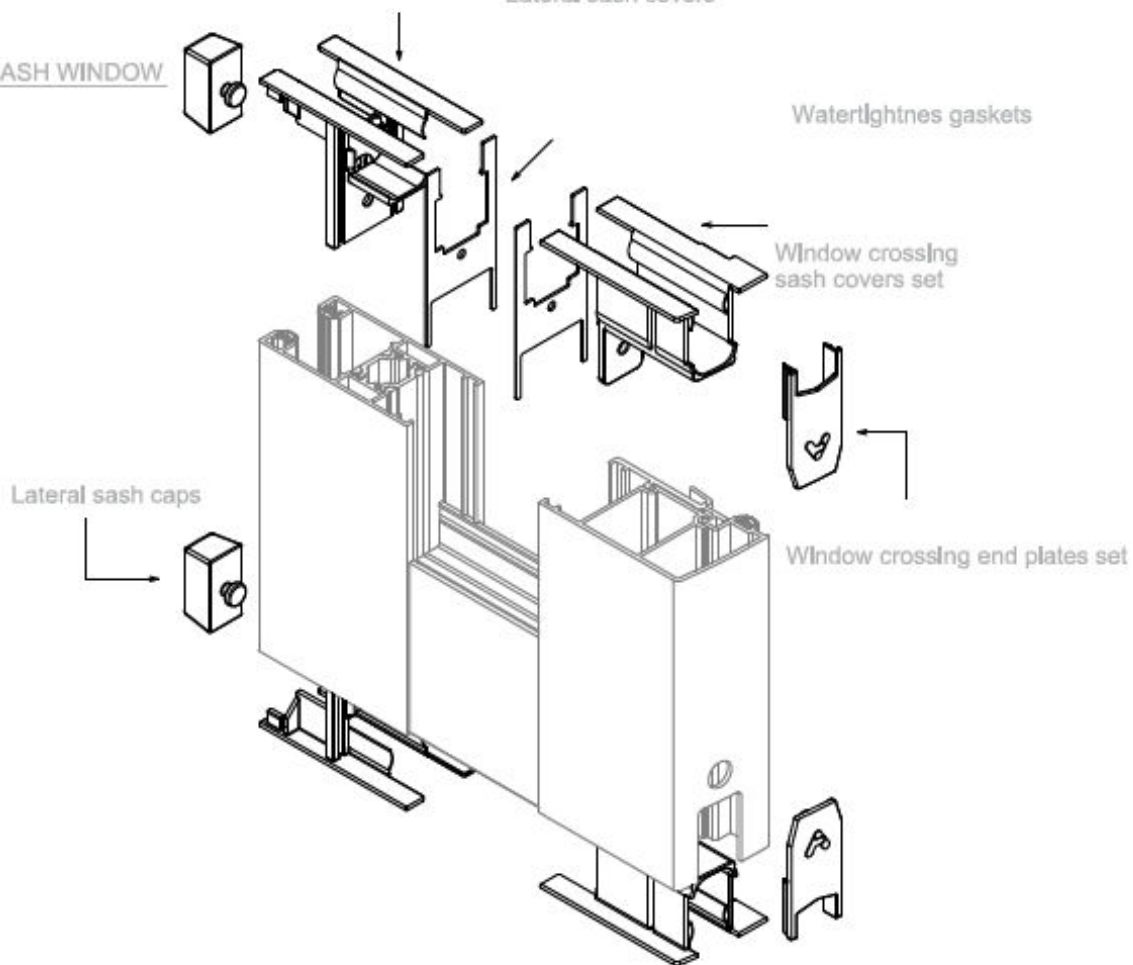
Official Police Security Initiative



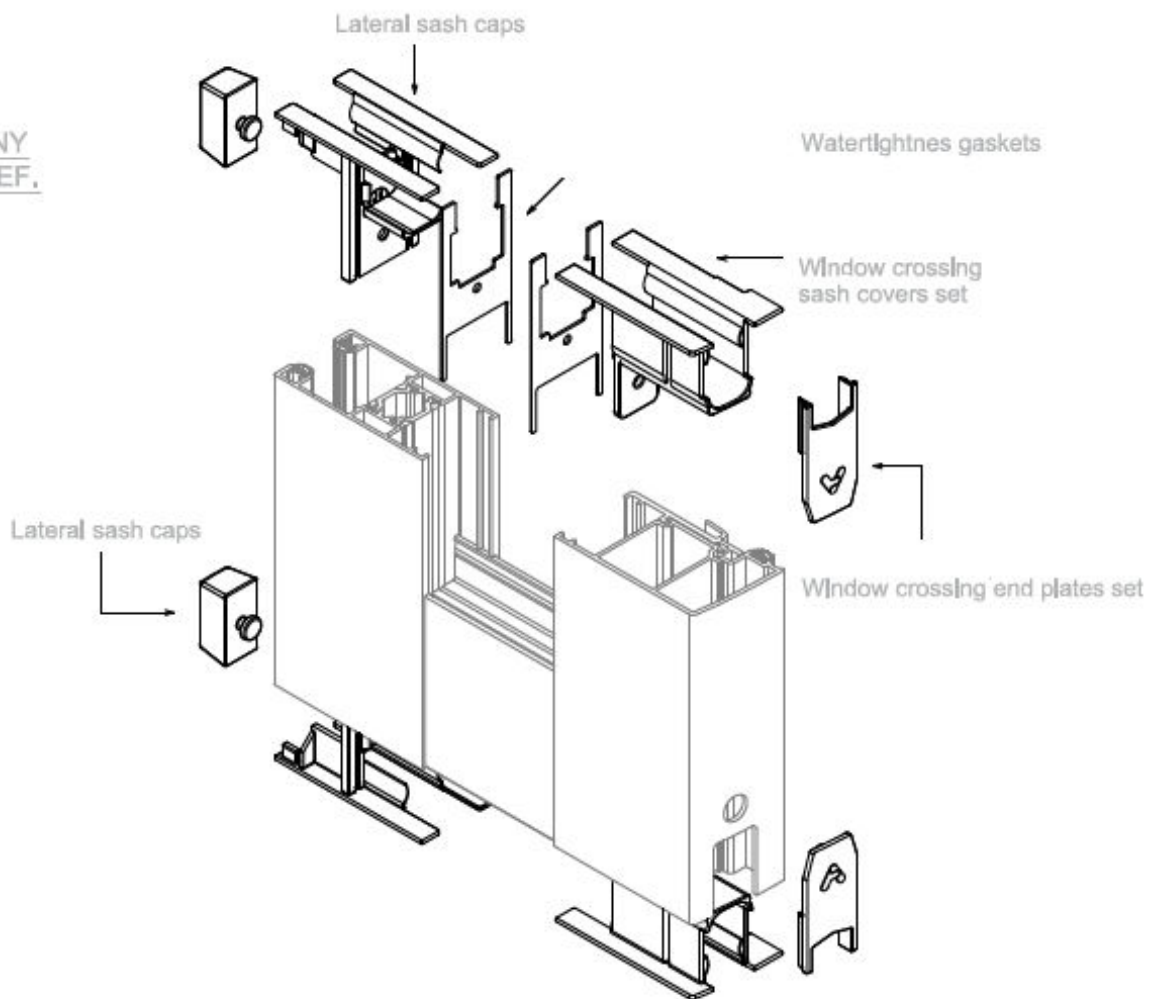
INSTALLATION GUIDE

Lateral sash covers

COVER KITS 1 SASH WINDOW
(REF. 264255)

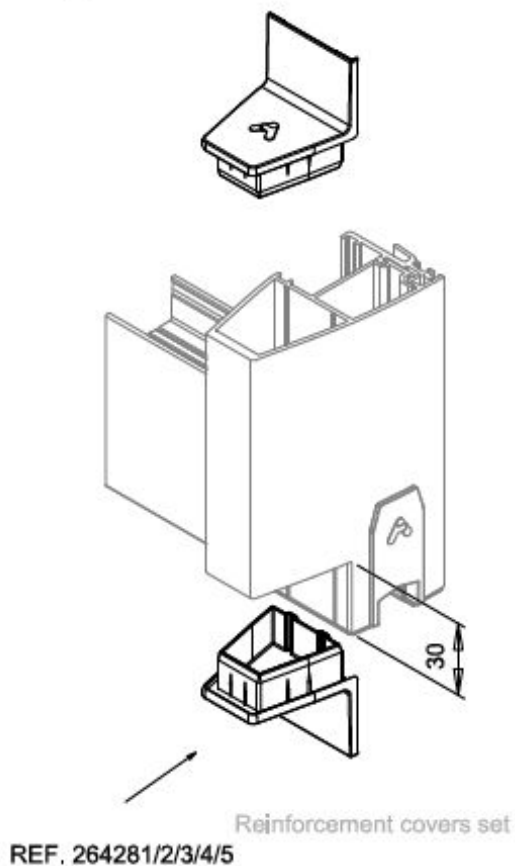


1 SASH BALCONY
COVERS KIT (REF.
264256)

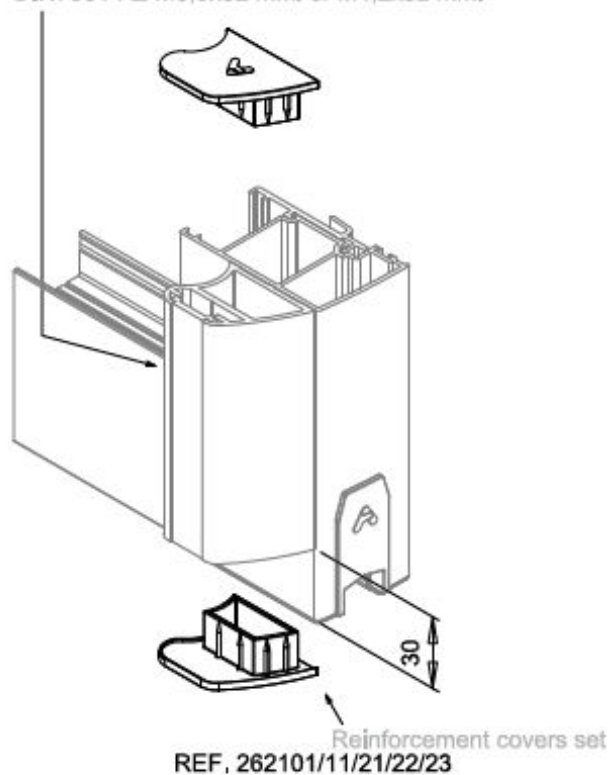


CROSSING SASH COVERS WITH REINFORCEMENTS

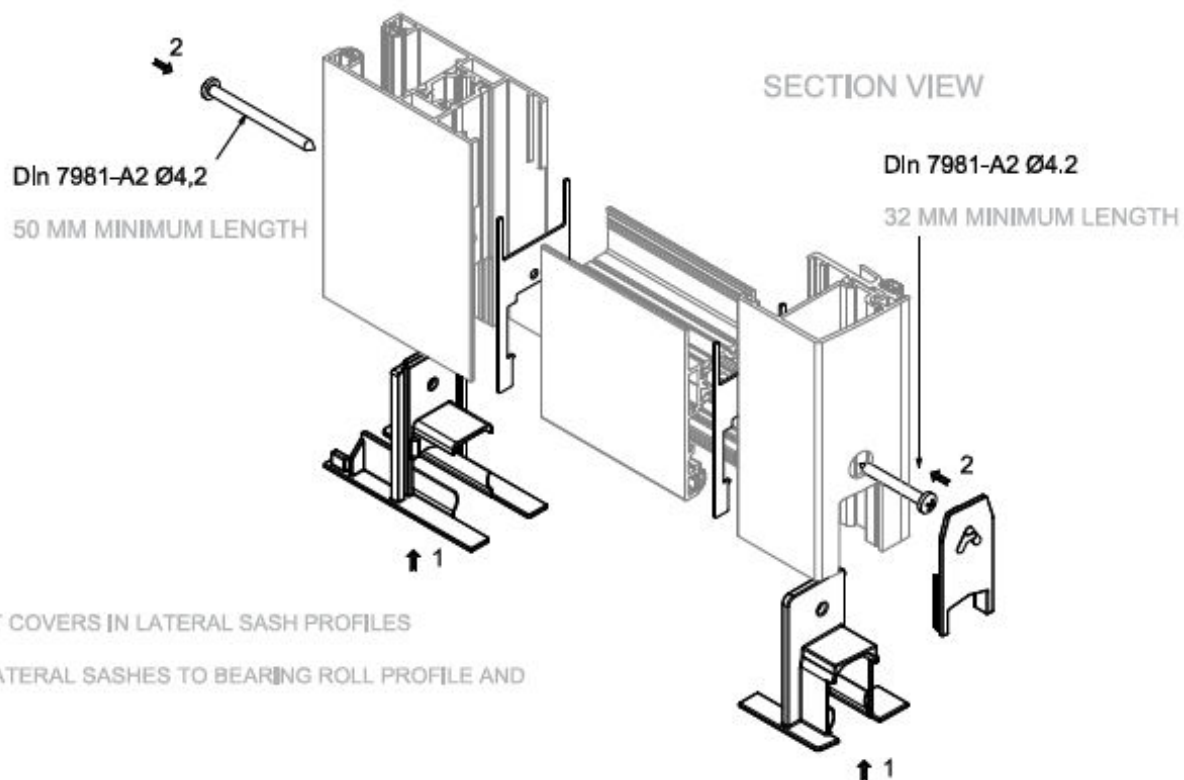
Covers kit adapted for reinforced crossing sashes COR-4285 and 4286



Reinforcement profile COR-2127 screwed with DIN7981-A2 M3,9x32 mm. or M4,2x32 mm.



LATERAL SASHES ANCHORING TO BEARING ROLL PROFILE



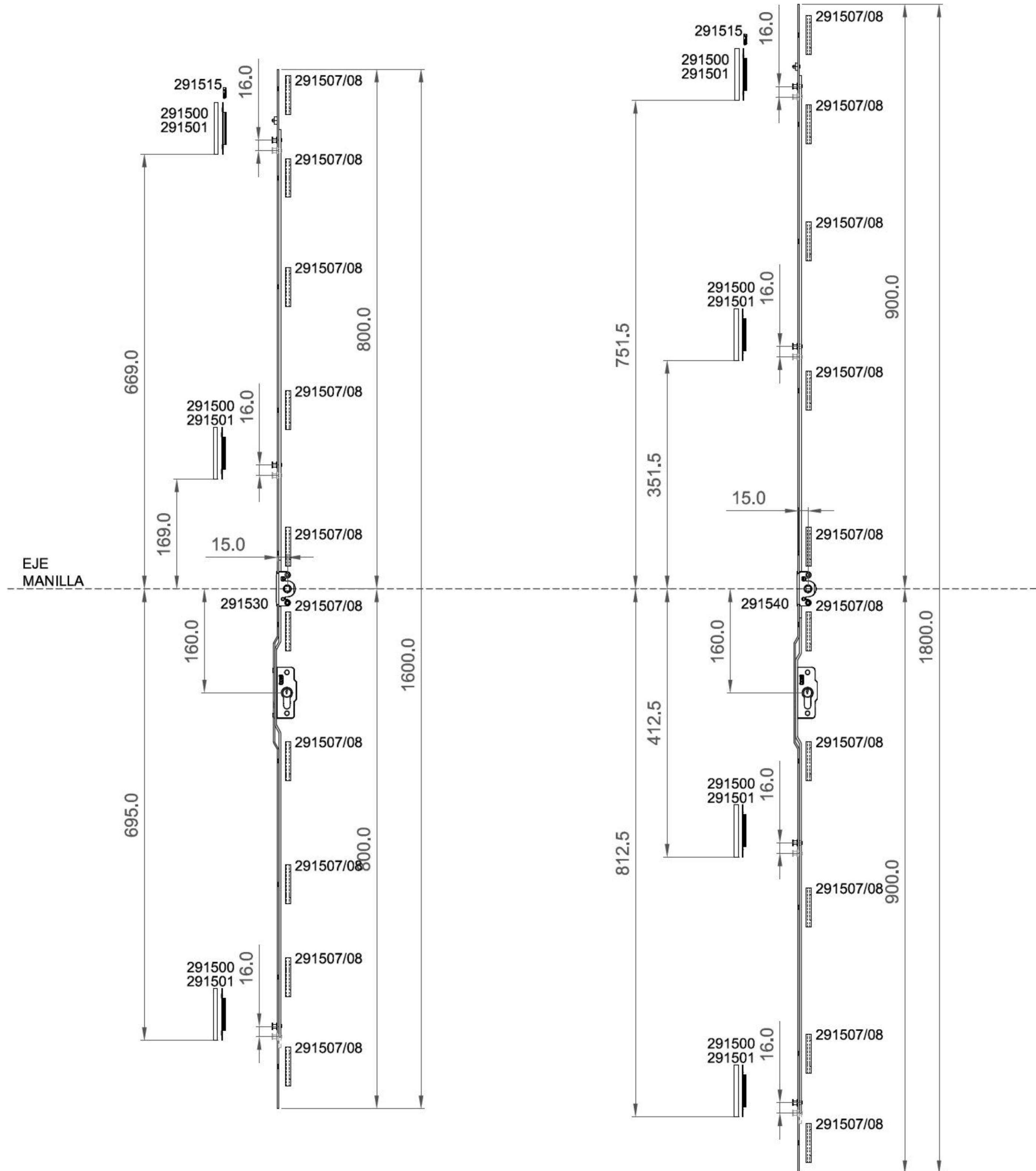
OP 1. INSERT COVERS IN LATERAL SASH PROFILES

OP 2. JOIN LATERAL SASHES TO BEARING ROLL PROFILE AND FASTEN.

Multipoint lock assembly detail

MULTIPOINT 3P WITH LOCK

MULTIPOINT 4P WITH LOCK



Important note:

Before fixing the position of the keeps following the measures above, it is recommended to check if they are correct.

291540