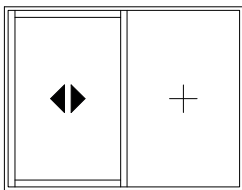


## OS-77 Data Sheet

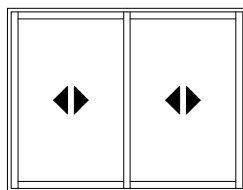
### Specification

Frame depth	143mm on a double track and 213mm on a triple track
Sightline	77mm
Maximum set size	5939mm wide and 2300mm tall* *individual panels cannot exceed 6sqm
Minimum set size	1800mm wide x 2074mm tall
Available configurations	Up to 3 panels, all sliding or a combination of fixed and sliding (see below)
Guarantee	up to 20 years
Glazing options	Dry glaze system. 32mm & 36mm glass unit options
Delivery	As a kit, no glass supplied
Security	PAS 24 certified
U values	1.8 W/m <sup>2</sup> K
Colours	7015M, 7016M, 9005M and 9910G
Lead times	4 Weeks
Lever options	Stainless steel bar handle

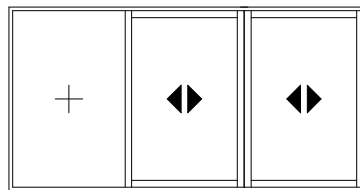
### Configurations



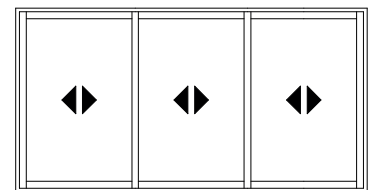
XO or OX  
(1 Sliding, 1 Fixed)



XX  
(2 Sliding)

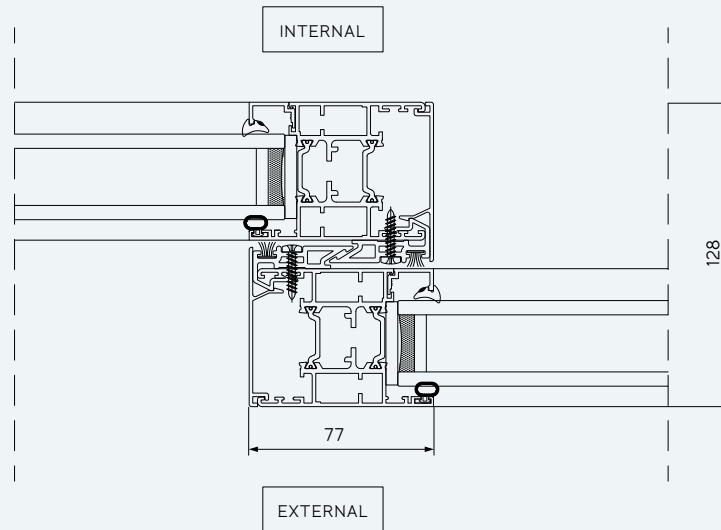


XXO or OXX  
(2 Sliding, 1 Fixed)

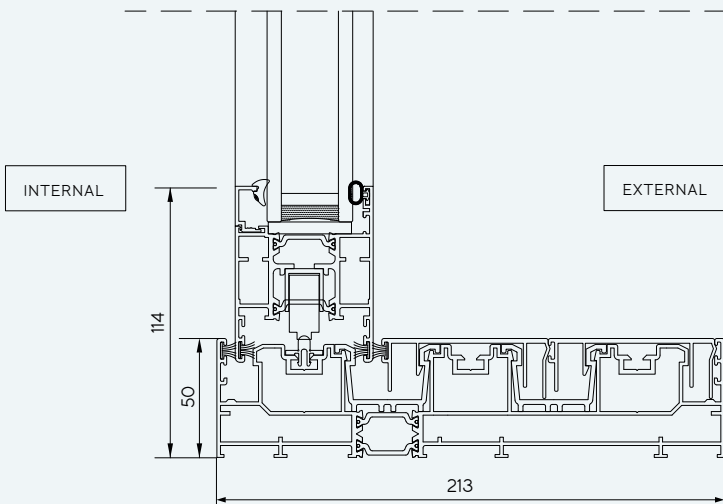


XXX  
(3 Sliding)

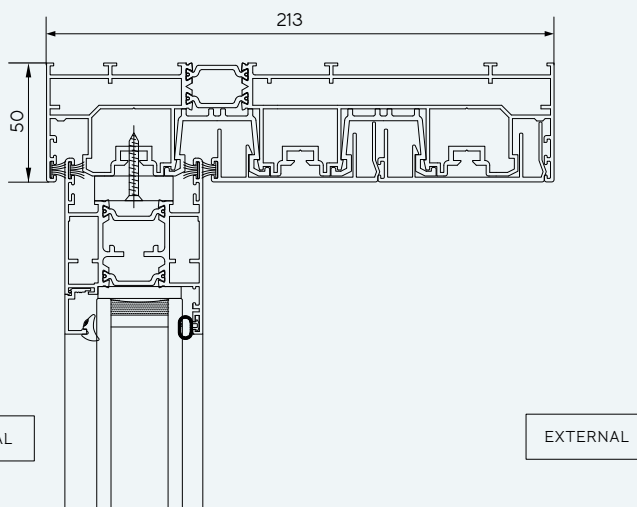
# Technical Drawings



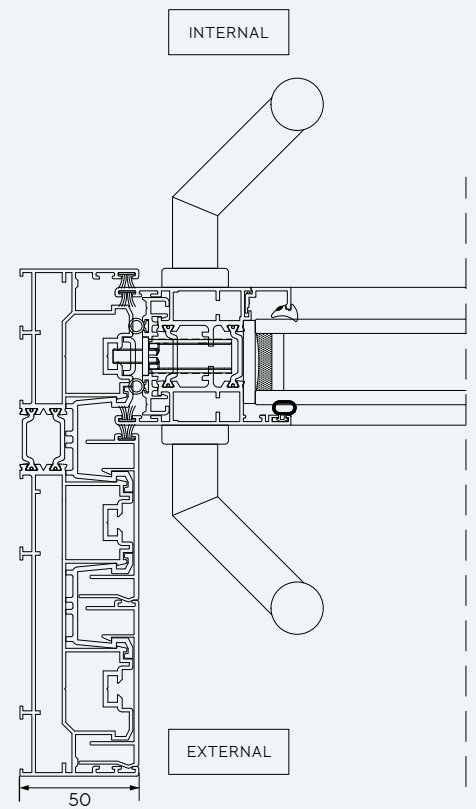
Interlocker Detail



Triple Frame (Bottom)



Triple Frame (Top)



Triple Frame (Jamb)